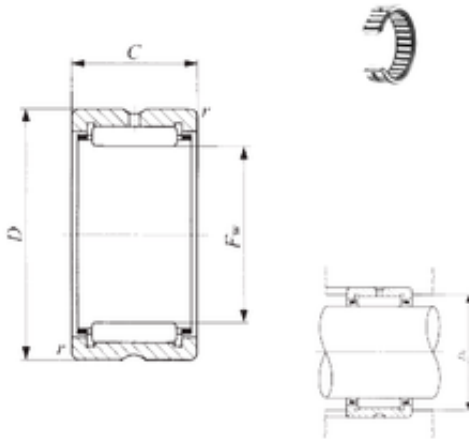




# New energy Bearing Manufacturing Co.,...

## IKO TAF 9011035 needle roller bearings

Bearing No. TAF 9011035



TAF 9011035 Bearing 2D drawings and 3D CAD models

Size	90x110x35 mm
Bore Diameter	90 mm
Outer Diameter	110 mm
Width	35 mm
Fw	90 mm
D	110 mm
C	35 mm
r min.	1 mm
Da max.	105 mm
Weight	0,64 Kg
Basic dynamic load rating (C)	103 kN
Basic static load rating (C0)	217 kN