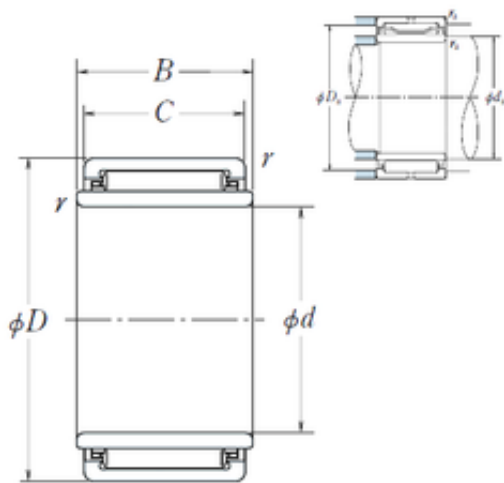




New energy Bearing Manufacturing Co.,...



8 mm x 17 mm x 12,2 mm NSK LM1212 needle roller bearings

Bearing No. LM1212

LM1212 Bearing 2D drawings and 3D CAD models

Size	8x17x12.2 mm
Bore Diameter	8 mm
Outer Diameter	17 mm
Width	12,2 mm
d	8 mm
Fw	12 mm
D	17 mm
B	12,2 mm
C	12 mm
r min.	0,3 mm
da min.	10 mm
Da max.	15 mm
ra max.	0,3 mm
Weight	0,013 Kg
Basic dynamic load rating (C)	6,15 kN
Basic static load rating (C0)	7,65 kN
(Grease) Lubrication Speed	18000 r/min
hidYobi	LM1212
LangID	1
D_	17
B_	12.2
hidTable	ecat_NS MRNR
GRS rpm	18000
ra	0.3
da_min	10



New energy Bearing Manufacturing Co.,...

d2	8
C0	7.65
C1_	12
DE_	15.2
SLR	8.8
Prod_Type3	NRB_S_LM
DA_	1.6
Z_	15
SI	12
yobi	LM1212
da_max	15
OIL rpm	30000
SDM_	13.6
r	0.3
KBRG	8352
mass2	0.013
B1	12.2