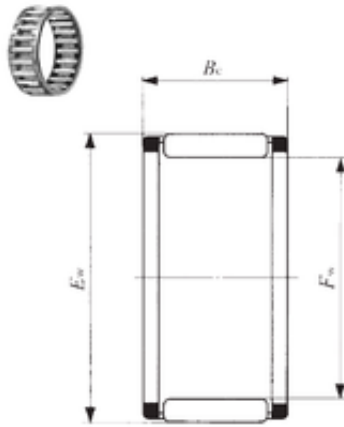




New energy Bearing Manufacturing Co.,...



KT 587N Bearing 2D drawings and 3D CAD models

IKO KT 587N needle roller bearings

Bearing No. KT 587N

Bore Diameter	5 mm
Outer Diameter	8 mm
Fw	5 mm
Ew	8 mm
Bc	7 mm
Weight	0,00053 Kg
Basic dynamic load rating (C)	2,07 kN
Basic static load rating (C0)	1,6 kN
Category	Bearings
Inventory	0.0
Manufacturer Name	IKO
Minimum Buy Quantity	N/A
Weight / Kilogram	0
Product Group	B04144