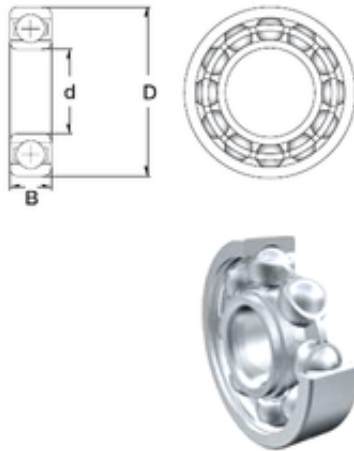




New energy Bearing Manufacturing Co.,...



2,5 mm x 8 mm x 2,8 mm ZEN 602X deep groove ball bearings

Bearing No. 602X

| | |
|-------------------------------|--------------|
| Size | 2.5x8x2.8 mm |
| Bore Diameter | 2,5 mm |
| Outer Diameter | 8 mm |
| Width | 2,8 mm |
| d | 2,5 mm |
| D | 8 mm |
| B | 2,8 mm |
| C | 2,8 mm |
| Basic dynamic load rating (C) | 0,552 kN |
| Basic static load rating (C0) | 0,177 kN |
| (Grease) Lubrication Speed | 60000 r/min |

602X Bearing 2D drawings and 3D CAD models