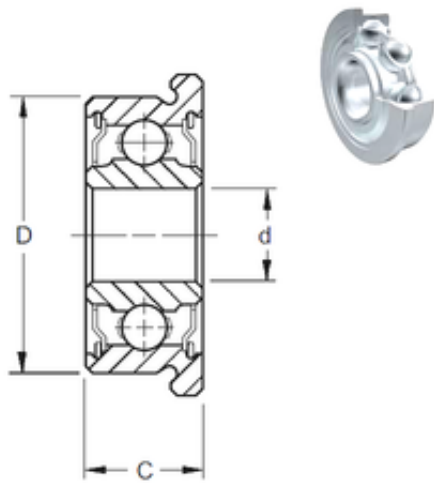




## New energy Bearing Manufacturing Co.,...



3 mm x 8 mm x 4 mm ZEN F693-2Z deep groove ball bearings

Bearing No. F693-2Z

Size	3x8x4 mm
Bore Diameter	3 mm
Outer Diameter	8 mm
Width	4 mm
d	3 mm
D	8 mm
B	4 mm
C	4 mm
Basic dynamic load rating (C)	0,558 kN
Basic static load rating (C0)	0,18 kN

F693-2Z Bearing 2D drawings and 3D CAD models