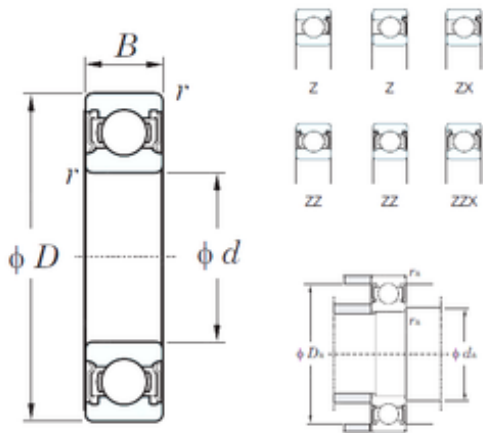




New energy Bearing Manufacturing Co.,...



160 mm x 240 mm x 38 mm KOYO 6032ZX
deep groove ball bearings

Bearing No. 6032ZX

6032ZX Bearing 2D drawings and 3D CAD models

Size	160x240x38 mm
Bore Diameter	160 mm
Outer Diameter	240 mm
Width	38 mm
d	160 mm
D	240 mm
B	38 mm
C	38 mm
r min.	2,1 mm
da min.	171 mm
da max	178,5 mm
Da max.	229 mm
ra max.	2 mm
Weight	5,22 Kg
Basic dynamic load rating (C)	136 kN
Basic static load rating (C0)	135 kN
(Grease) Lubrication Speed	2600 r/min
(Oil) Lubrication Speed	3000 r/min