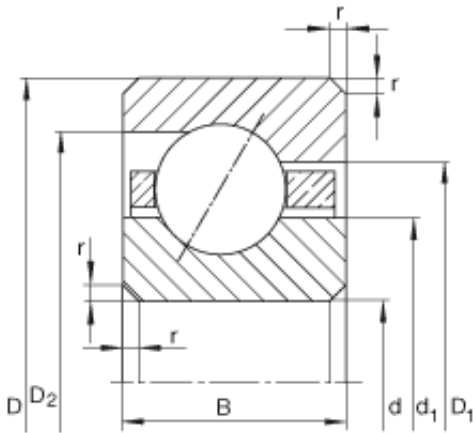




# New energy Bearing Manufacturing Co.,...

7 inch x 190,5 mm x 6,35 mm INA CSEA070  
deep groove ball bearings

Bearing No. CSEA070



CSEA070 Bearing 2D drawings and 3D CAD models

Size	177.8x190.5x6.35 mm
Bore Diameter	177,8 mm
Outer Diameter	190,5 mm
Width	6,35 mm
d	177,8 mm
d	7 inch
D	190,5 mm
B	6,35 mm
D <sub>1</sub>	185,8 mm
D <sub>2</sub>	187,1 mm
d <sub>1</sub>	182,5 mm
r <sub>min</sub>	0,6 mm
m	0,15 kg / Weight
C <sub>r</sub>	5100 N / Dynamic load rating (radial)
C <sub>0r</sub>	10400 N / Static load rating (radial)