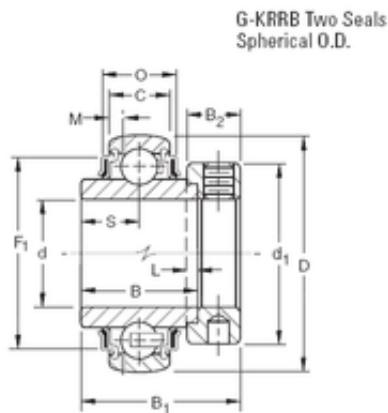




New energy Bearing Manufacturing Co.,...



58,7375 mm x 110 mm x 61,91 mm Timken
G1205KRRB deep groove ball bearings

Bearing No. G1205KRRB

Size	58.7375x110x61.91 mm
Bore Diameter	58,7375 mm
Outer Diameter	110 mm
Width	61,91 mm
d	58,7375 mm
D	110 mm
B	61,91 mm
C	27 mm
P	35,03 mm
O	94,89 mm
d1	84,1 mm
B1	5,13 mm
B2	22,2 mm
L	6,4 mm
S	31 mm
F1	77,8 mm
Weight	1,923 Kg
Basic dynamic load rating (C)	58,8 kN

G1205KRRB Bearing 2D drawings and 3D CAD models