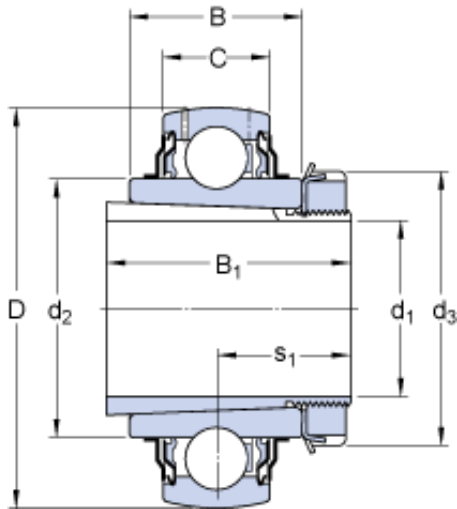




New energy Bearing Manufacturing Co.,...



YSA 206-2FK + H 2306 Bearing 2D drawings and 3D CAD models

25 mm x 62 mm x 28 mm SKF YSA 206-2FK + H 2306 deep groove ball bearings

Bearing No. YSA 206-2FK + H 2306

Size	62x25x38 mm
Bore Diameter	62 mm
Outer Diameter	25 mm
Width	38 mm
d ₁	25 mm
D	62 mm
B ₁	38 mm
B	28 mm
C	18 mm
d ₂	39.7 mm
d ₃	45 mm
s ₁ - ?	22.5 mm
Basic dynamic load rating - C	19.5 kN
Basic static load rating - C ₀	11.2 kN
Fatigue load limit - P _u	0.475 kN
Limiting speed	6300 r/min
Calculation factor - f ₀	14
d	25 mm
B ₁	38 mm
d ₁	39.7 mm
d ₃	45 mm
s ₁	22.5 mm
Basic dynamic load rating C	19.5 kN
Basic static load rating C ₀	11.2 kN



New energy Bearing Manufacturing Co.,...

Fatigue load limit P_u	0.475 kN
Limiting speed ¹⁾	6300 r/min
Calculation factor f_0	14
Mass bearing + adapter sleeve	0.38 kg
Associated spanner	HN 5-6
Recommended lock nut tightening angle	95 °