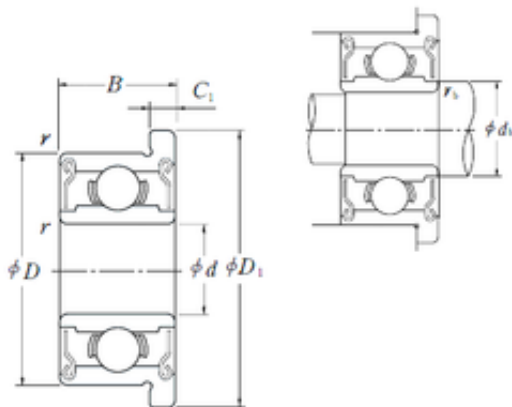




## New energy Bearing Manufacturing Co.,...



6 mm x 15 mm x 5 mm ISO F696-2RS deep groove ball bearings

Bearing No. F696-2RS

Size	6x15x5 mm
Bore Diameter	6 mm
Outer Diameter	15 mm
Width	5 mm
d	6 mm
D	15 mm
D1	17 mm
B	5 mm
r min.	0,2 mm
C1	1,2 mm

F696-2RS Bearing 2D drawings and 3D CAD models