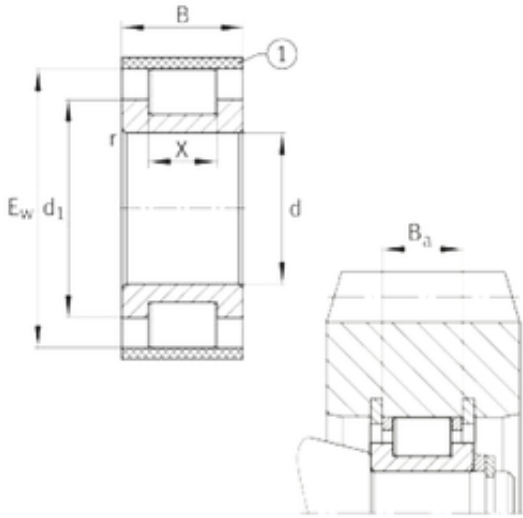




# New energy Bearing Manufacturing Co.,...



## INA RSL183012-A cylindrical roller bearings

Bearing No. RSL183012-A

Size	60x86.74x26 mm
Bore Diameter	60 mm
Outer Diameter	86,74 mm
Width	26 mm
d	60 mm
Ew	86,74 mm
B	26 mm
Ba	22,6 mm
X	17 mm
d1	71,7 mm
r min.	1,1 mm
Weight	0,43 Kg
Basic dynamic load rating (C)	123 kN
Basic static load rating (C0)	145 kN

RSL183012-A Bearing 2D drawings and 3D CAD models