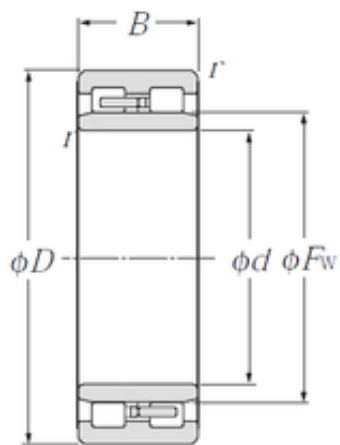




New energy Bearing Manufacturing Co.,...



300 mm x 420 mm x 118 mm NTN NNU4960 cylindrical roller bearings

Bearing No. NNU4960

Size	300x420x118 mm
Bore Diameter	300 mm
Outer Diameter	420 mm
Width	118 mm
d	300 mm
Fw	339 mm
D	420 mm
B	118 mm
C	118 mm
r min.	3 mm
Weight	48,6 Kg
Basic dynamic load rating (C)	1 200 kN
Basic static load rating (C0)	2 800 kN
(Grease) Lubrication Speed	1 300 r/min

NNU4960 Bearing 2D drawings and 3D CAD models