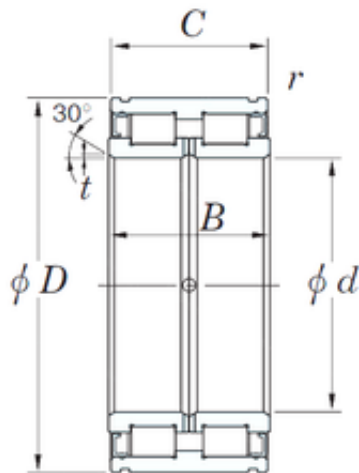




## New energy Bearing Manufacturing Co.,...



### 75 mm x 115 mm x 54 mm KOYO DC5015N cylindrical roller bearings

Bearing No. DC5015N

Size	75x115x54 mm
Bore Diameter	75 mm
Outer Diameter	115 mm
Width	54 mm
d	75 mm
D	115 mm
B	54 mm
C	53 mm
t	1,2 mm
r min.	0,6 mm
C1	42 mm
S	5,5 mm
Ca	42 mm
da min.	83 mm
Da min	129 mm
Weight	2,11 Kg
Basic dynamic load rating (C)	178 kN
Bearing No.	DC5015N
r(min)	0.6
Cr	178
C0r	307
E	-
f	-
da(min)	83
Dx(min)	-

DC5015N Bearing 2D drawings and 3D CAD models



## New energy Bearing Manufacturing Co.,...

C2	-
(Refer.) Mass(kg)	2.11