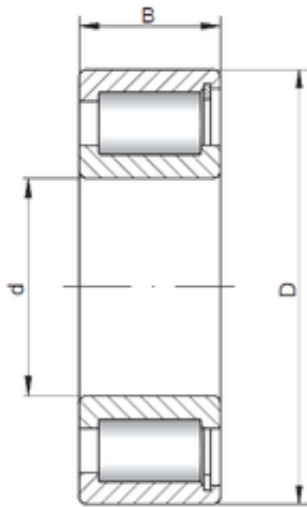




New energy Bearing Manufacturing Co.,...



400 mm x 540 mm x 82 mm ISO NCF2980 V
cylindrical roller bearings

Bearing No. NCF2980 V

Size	400x540x82 mm
Bore Diameter	400 mm
Outer Diameter	540 mm
Width	82 mm
d	400 mm
D	540 mm
B	82 mm
C	82 mm

NCF2980 V Bearing 2D drawings and 3D CAD models