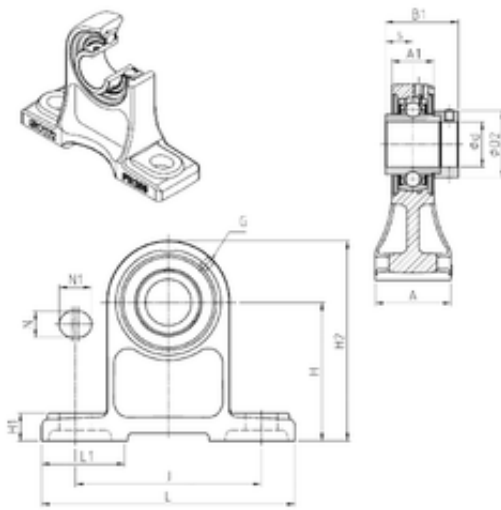




New energy Bearing Manufacturing Co.,...



SNR EXPH209 bearing units

Bearing No. EXPH209

Bore Diameter	45 mm
d	45 mm
s	21,4 mm
A	70 mm
A1	36 mm
B1	56,3 mm
D2	63,5 mm
H	105 mm
H1	20 mm
H2	157 mm
J	146 mm
L	190 mm
L1	62 mm
N	17 mm
N1	25 mm
Thread (G)	M6x1
Weight	3,3 Kg
Basic dynamic load rating (C)	31,85 kN

EXPH209 Bearing 2D drawings and 3D CAD models