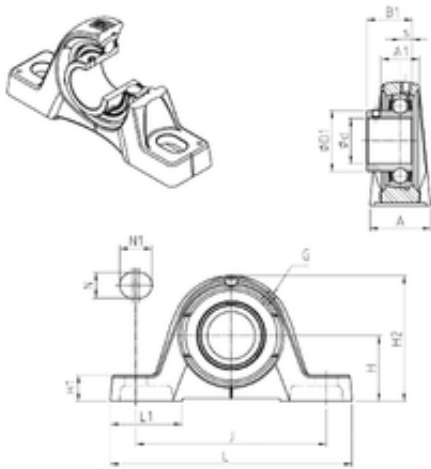




# New energy Bearing Manufacturing Co.,...



## SNR USPE205 bearing units

Bearing No. USPE205

Bore Diameter	25 mm
d	25 mm
s	7,5 mm
A	36 mm
A1	21 mm
B1	27 mm
D1	34 mm
H	36,5 mm
H1	14,5 mm
H2	70 mm
J	103 mm
L	130 mm
L1	39 mm
N	11 mm
N1	19 mm
Thread (G)	R1/8"
Weight	0,7 Kg
Basic dynamic load rating (C)	14 kN

USPE205 Bearing 2D drawings and 3D CAD models