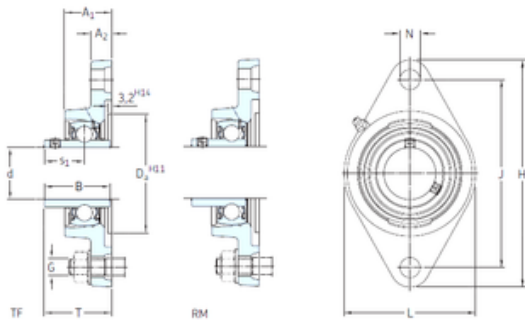




New energy Bearing Manufacturing Co.,...



SKF FYT 1. RM bearing units

Bearing No. FYT 1. RM

Bore Diameter	25,4 mm
Width	27,2 mm
d	25,4 mm
s1	19,5 mm
A1	30 mm
B	27,2 mm
G	10 mm
H	124 mm
J	98,8 mm
L	70 mm
N	12,7 mm
T	38,8 mm
A2	12 mm
Weight	0,6 Kg
Basic dynamic load rating (C)	14 kN
Basic static load rating (C0)	7,8 kN
Fatigue load limit (Pu)	0,335
Category	Flange Block Bearings
Inventory	0.0
Manufacturer Name	SKF
Minimum Buy Quantity	N/A
Weight / Kilogram	0.55
EAN	7316571504391
Product Group	M06110
Number of Mounting Holes	2
Mounting Method	Set Screw

FYT 1. RM Bearing 2D drawings and 3D CAD models



New energy Bearing Manufacturing Co.,...

Housing Style	2 Bolt Flange Block
Rolling Element	Ball Bearing
Housing Material	Cast Iron
Expansion / Non-expansion	Non-expansion
Mounting Bolts	7/16 Inch
Relubricatable	Yes
Insert Part Number	YAT 205-100
Seals	M Seal
Housing Configuration	1 Piece Solid
Pilot Configuration	No Pilot
Inch - Metric	Inch
Long Description	2 Bolt Flange Block; 1" Bore; 3.9" Bolt Circle; 3-29/32" Bolt Spacing; 1 Piece Solid; Set Screw Mount; Cast Iron; Ball Bearing; 1-5/64" Length Thru Bore; Relubricatable; M Seal Sea
Other Features	Single Row Standard Duty Narrow Inner Race Open End Y Bearing
Category	Flange Block
UNSPSC	31171501
Harmonized Tariff Code	8483.20.40.40
Noun	Bearing
Keyword String	Flanged
Manufacturer URL	http://www.skf.com
Manufacturer Item Number	FYT 1. RM
Weight / LBS	1.2
Cartridge Pilot Depth	0 Inch 0 Millimeter
Bolt Spacing	3.906 Inch 99.2 Millimeter
Nominal Bolt Circle Diameter Round	3.9 Inch 99 Millimeter
Cartridge Pilot Diameter	0 Inch 0 Millimeter
Length Thru Bore	1.078 Inch 27.381



New energy Bearing Manufacturing Co.,...

	Millimeter
Bore	1 Inch 25.4 Millimeter