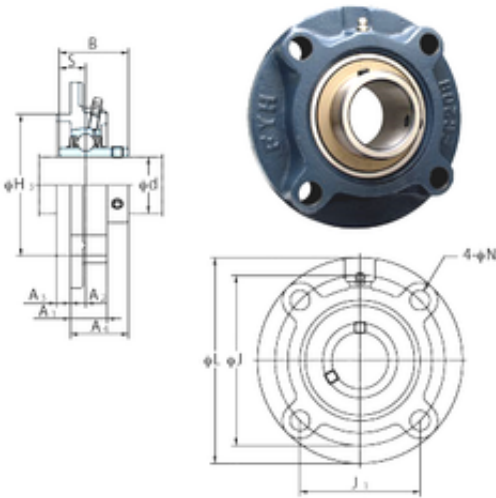




# New energy Bearing Manufacturing Co.,...

## FYH UCFCX06E bearing units



Bearing No. UCFCX06E

Bore Diameter	30 mm
d	30 mm
H3	85,725 mm
A4	33,4 mm
A1	22,5 mm
B	42,9 mm
J	105 mm
L	127 mm
N	12 mm
S	17,5 mm
Bolt (G)	M10
A2	8 mm
A3	9,5 mm
J1	74,2 mm
Weight	1,5 Kg
Basic dynamic load rating (C)	25,7 kN
Basic static load rating (C0)	15,4 kN
Category	Mounted Units & Inserts
Inventory	0.0
Manufacturer Name	FYH BEARING UNITS
Minimum Buy Quantity	N/A
Weight / Kilogram	0
Product Group	M06110

UCFCX06E Bearing 2D drawings and 3D CAD models