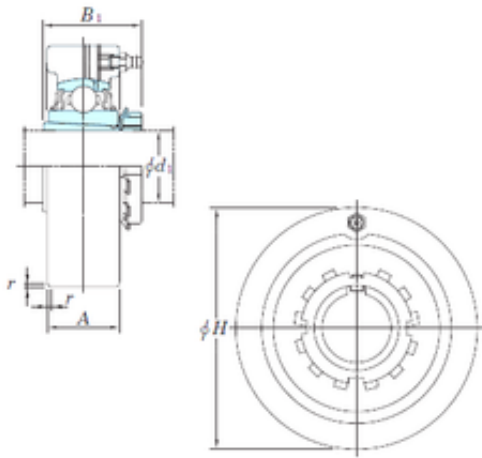




New energy Bearing Manufacturing Co.,...



KOYO UKCX12 bearing units

Bearing No. UKCX12

Bore Diameter	55 mm
d	55 mm
r	2,5 mm
A	44 mm
B1	62 mm
H	160 mm
Weight	4,4 Kg
Basic dynamic load rating (C)	57,2 kN
Basic static load rating (C0)	40,1 kN

UKCX12 Bearing 2D drawings and 3D CAD models