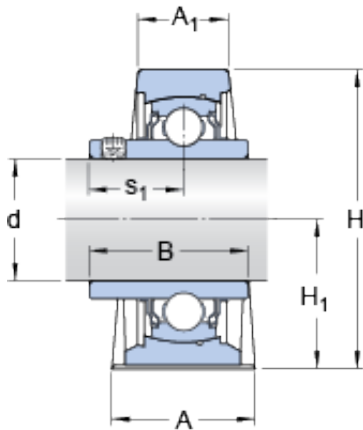




# New energy Bearing Manufacturing Co.,...



SY 3/4 TF/VA201 Bearing 2D drawings and 3D CAD models

## SKF SY 3/4 TF/VA201 bearing units

Bearing No. SY 3/4 TF/VA201

Size	32x19.05x22 mm
Bore Diameter	32 mm
Outer Diameter	19,05 mm
Width	22 mm
d	19.05 mm
A	32 mm
A <sub>1</sub>	22 mm
H	64 mm
H <sub>1</sub>	33.3 mm
H <sub>2</sub>	14 mm
L	127 mm
J	97 mm
H	20.5 mm
N <sub>1</sub>	11.5 mm
B	31 mm
s <sub>1</sub>	18.3 mm
Basic dynamic load rating - C	12.7 kN
Basic static load rating - C <sub>0</sub>	6.6 kN
Limiting speed	130 r/min
Limiting temperature - T	250 ° C
Mass bearing unit	0.6 kg
Grub (set) screw - G <sub>2</sub> - 1/4-28 UNF	1/428 UNF
Hexagonal key size for grub screw - H	3.175 mm



## New energy Bearing Manufacturing Co.,...

Recommended tightening torque for grub screw	4 N · m
Category	Bearings
Inventory	0.0
Manufacturer Name	SKF
Minimum Buy Quantity	N/A
Weight / Kilogram	0
Product Group	M06110
A <sub>1</sub>	22 mm
H <sub>1</sub>	33.3 mm
H <sub>2</sub>	14 mm
N	20.5 mm
N <sub>1</sub>	11.5 mm
s <sub>1</sub>	18.3 mm
Basic dynamic load rating C	12.7 kN
Basic static load rating C <sub>0</sub>	6.55 kN
Limiting temperature T max.	250 ° C
Grub (set) screw G <sub>2</sub>	1/4-28 UNF
Hexagonal key size for grub screw N	3.175 mm
Attachment bolts, recommended metric size G	10 mm
Bearing	YAR 204-012-2FW/VA201