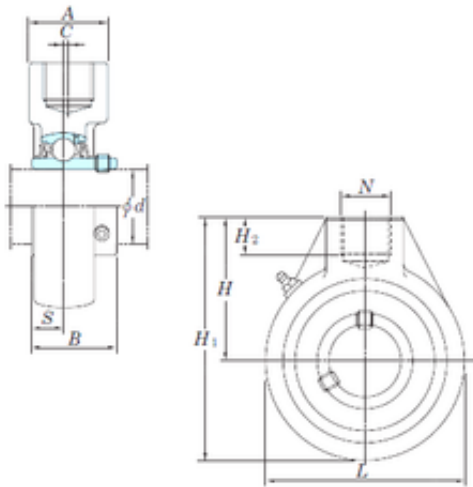




New energy Bearing Manufacturing Co.,...



KOYO UCHA212 bearing units

Bearing No. UCHA212

Bore Diameter	60 mm
Width	65,1 mm
d	60 mm
A	60 mm
B	65,1 mm
C	9 mm
H	102 mm
H1	173 mm
H2	28 mm
L	142 mm
S	25,4 mm
Bolt (G)	PF 1 1/4
Weight	3,9 Kg
Basic dynamic load rating (C)	52,4 kN
Basic static load rating (C0)	36,2 kN

UCHA212 Bearing 2D drawings and 3D CAD models