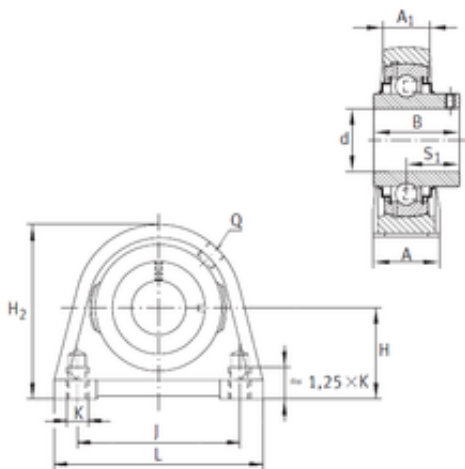




# New energy Bearing Manufacturing Co.,...



## INA RSHEY55 bearing units

Bearing No. RSHEY55

Bore Diameter	55 mm
d	55 mm
Thread (Q)	Rp1/8
Thread (K)	M16
A	60 mm
A1	35 mm
B	55,6 mm
H	64 mm
H2	125 mm
J	118 mm
L	150 mm
S	33,4 mm
Weight	3,29 Kg
Basic dynamic load rating (C)	43,5 kN
Category	Pillow Block Bearings
Inventory	0.0
Manufacturer Name	SCHAEFFLER GROUP
Minimum Buy Quantity	N/A
Weight / Kilogram	4.455
Product Group	M06110
Number of Mounting Holes	2
Mounting Method	Set Screw
Housing Style	2 Bolt Tap Base Pillow Block
Rolling Element	Ball Bearing
Housing Material	Cast Iron
Expansion / Non-expansion	Non-expansion

RSHEY55 Bearing 2D drawings and 3D CAD models



## New energy Bearing Manufacturing Co.,...

Mounting Bolts	16 Millimeter
Relubricatable	Yes
Insert Part Number	GYE55KRRB
Seals	Double Land Riding Rubber Contact
Housing Configuration	1 Piece Solid
Inch - Metric	Metric
Other Features	Single Row   With Grub Screw
Long Description	2 Bolt Tap Base Pillow Block; 55MM Bore; 63.5MM Base to Center Height; Set Screw Mount; Ball Bearing; Relubricatable; Cast Iron; Double Land Riding Rubber Contact; Non-expansion
Category	Pillow Block
UNSPSC	31171511
Harmonized Tariff Code	8483.20.40.40
Noun	Bearing
Keyword String	Pillow Block
Manufacturer URL	<a href="http://www.ina.com">http://www.ina.com</a>
Manufacturer Item Number	RSHEY55
Weight / LBS	7.253
Actual Bolt Center to Center	4.6 Inch   117.5Millimeter
Base to Center Height	2.5 Inch   63.5 Millimeter
Bore	2.165 Inch   55 Millimeter
Nominal Bolt Center to Center	4.6 Inch   118 Millimeter
Bolt Spacing Minimum	0 Inch   0Millimeter
Bolt Spacing Maximum	0 Inch   0Millimeter
Length Thru Bore	2.189 Inch   55.6 Millimeter