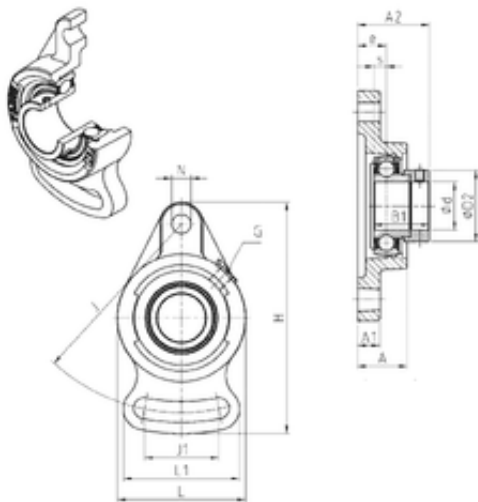




# New energy Bearing Manufacturing Co.,...



## SNR ESFA207 bearing units

Bearing No. ESFA207

Bore Diameter	35 mm
d	35 mm
e	19 mm
s	9,5 mm
A	34 mm
A1	16 mm
B1	38,9 mm
D2	55,6 mm
H	161 mm
J	130 mm
L	90 mm
L1	82 mm
N	15 mm
Thread (G)	M6x1
A2	48,4 mm
J1	66 mm
Weight	1,6 Kg
Basic dynamic load rating (C)	25,7 kN

ESFA207 Bearing 2D drawings and 3D CAD models