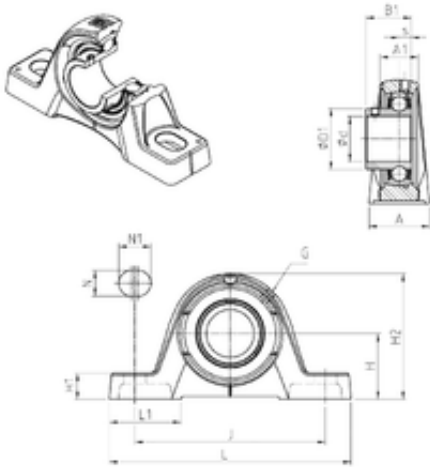




# New energy Bearing Manufacturing Co.,...

## SNR USPE210 bearing units

Bearing No. USPE210



USPE210 Bearing 2D drawings and 3D CAD models

Bore Diameter	50 mm
d	50 mm
s	10,9 mm
A	54 mm
A1	34 mm
B1	43,5 mm
D1	61,8 mm
H	57,2 mm
H1	21,5 mm
H2	115 mm
J	158 mm
L	200 mm
L1	61 mm
N	18 mm
N1	23 mm
Thread (G)	R1/8"
Weight	2,7 Kg
Basic dynamic load rating (C)	35,1 kN