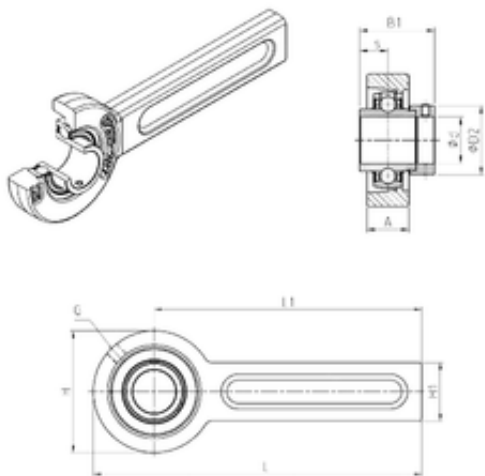




New energy Bearing Manufacturing Co.,...



SNR EXSP207 bearing units

Bearing No. EXSP207

Bore Diameter	35 mm
d	35 mm
s	18,8 mm
A	21 mm
B1	51,1 mm
D2	55,6 mm
H	98 mm
H1	41 mm
L	274 mm
L1	225 mm
Thread (G)	R1/8"
Weight	2,2 Kg
Basic dynamic load rating (C)	25,7 kN
B	37.6 mm
A5	18.8 mm
d1	51.1 mm
G	R1/8"
H2	41 mm
s1	36.3 mm
S	18.8 mm
SW	4 mm
C	25.7 kN
C0	15.2 kN
T min.	-20 ° C
T max.	100 ° C
Recommended tightening	11.5 Nm

EXSP207 Bearing 2D drawings and 3D CAD models



New energy Bearing Manufacturing Co.,...

torque for set screw	
Designation of housing	SP206-207/72-
Designation of bearing	EX207G2