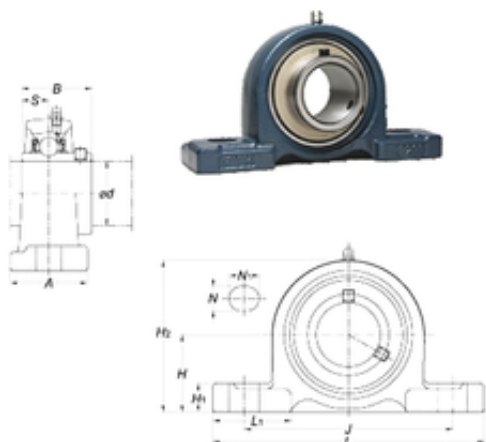




New energy Bearing Manufacturing Co.,...

FYH UCPX06 bearing units



Bearing No. UCPX06

| | |
|-------------------------------|-------------------------|
| Bore Diameter | 30 mm |
| Width | 42,9 mm |
| d | 30 mm |
| A | 57 mm |
| B | 42,9 mm |
| H | 47,6 mm |
| H1 | 17 mm |
| H2 | 93 mm |
| J | 127 mm |
| L | 175 mm |
| L1 | 55 mm |
| N | 17 mm |
| N1 | 25 mm |
| S | 17,5 mm |
| Bolt (G) | M14 |
| Weight | 2,1 Kg |
| Basic dynamic load rating (C) | 25,7 kN |
| Basic static load rating (C0) | 15,4 kN |
| Category | Mounted Units & Inserts |
| Inventory | 0.0 |
| Manufacturer Name | FYH BEARING UNITS |
| Minimum Buy Quantity | N/A |
| Weight / Kilogram | 0 |
| Product Group | M06110 |

UCPX06 Bearing 2D drawings and 3D CAD models