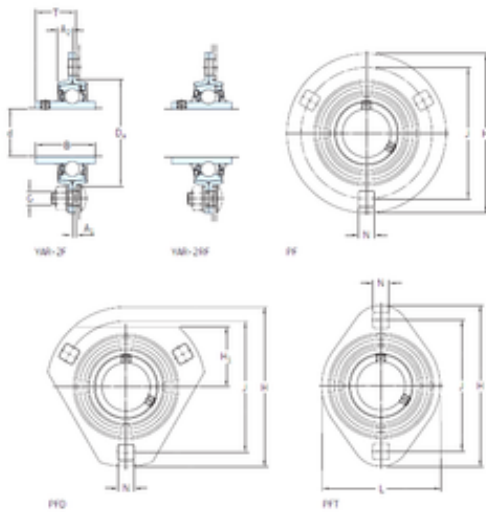




New energy Bearing Manufacturing Co.,...



SKF PFD 1.1/4 TF bearing units

Bearing No. PFD 1.1/4 TF

Bore Diameter	31.75 mm
Width	42,9 mm
d	31.75 mm
Da	81 mm
A1	2,5 mm
B	42,9 mm
G	10 mm
H	122 mm
H1	45 mm
J	100 mm
L	–
N	11 mm
T	27,9 mm
A2	10 mm
Weight	0,69 Kg
Basic dynamic load rating (C)	25,5 kN
Basic static load rating (C0)	15,3 kN
Housing material	Pressed steel
A ₁	2.5 mm
A ₂	10 mm
B ₄	6 mm
D _a min.	77 mm
H ₁	45 mm
s ₁	25.4 mm
Basic dynamic load rating C	25.5 kN
Basic static load rating C ₀	15.3 kN

PFD 1.1/4 TF Bearing 2D drawings and 3D CAD models



New energy Bearing Manufacturing Co.,...

Fatigue load limit P_u	0.655 kN
Permissible radial housing load max.	6.5 kN
Mass unit	0.75 kg
Thread grub screw G_2	5/16-24 UNF
Hexagonal key size for grub screw N	3.969 mm
Recommended tightening torque for grub screw	6.5 N · m
Recommended diameter for attachment bolts, mm G	10 mm
Recommended diameter for attachment bolts, inch G	0.375 in