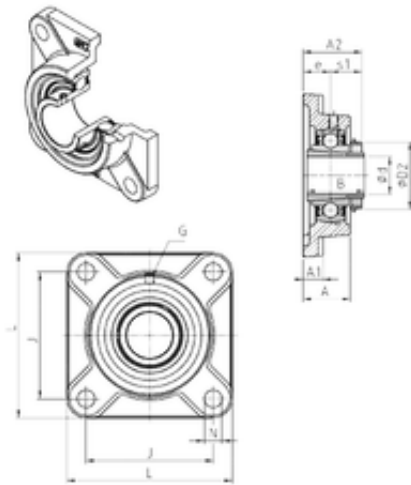




New energy Bearing Manufacturing Co.,...



SNR UKF209H bearing units

Bearing No. UKF209H

Bore Diameter	40 mm
d	40 mm
e	22 mm
s1	26 mm
A	38 mm
A1	16 mm
B	50 mm
D2	65 mm
J	105 mm
L	137 mm
N	16 mm
Thread (G)	M6x1
A2	48 mm
Weight	2,3 Kg
Basic dynamic load rating (C)	31,85 kN

UKF209H Bearing 2D drawings and 3D CAD models