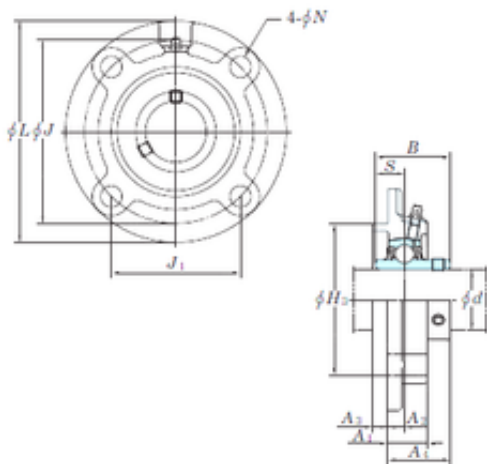




# New energy Bearing Manufacturing Co.,...



UCFCX18 Bearing 2D drawings and 3D CAD models

## KOYO UCFCX18 bearing units

Bearing No. UCFCX18

Bore Diameter	90 mm
d	90 mm
H3	186 mm
A4	73,1 mm
A1	43 mm
B	104 mm
J	219 mm
L	260 mm
N	23 mm
S	42,9 mm
Bolt (G)	M20
A2	12 mm
A3	28 mm
J1	154,8 mm
Weight	13,5 Kg
Basic dynamic load rating (C)	109 kN
Basic static load rating (C0)	81,9 kN
Bearing No.	UCFCX18
Bolt size	M20
Cr	109
C0r	81.9
f0	14.4
(Refer.)Unit mass(kg)	13.5
Nipple size	R1/8