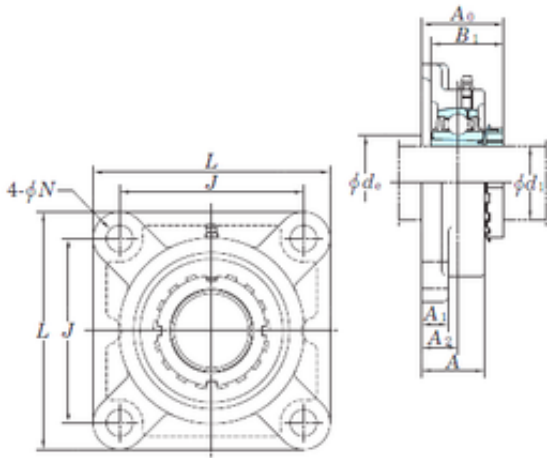




New energy Bearing Manufacturing Co.,...

KOYO UKFX17 bearing units

Bearing No. UKFX17



UKFX17 Bearing 2D drawings and 3D CAD models

| | |
|-------------------------------|---------|
| Bore Diameter | 76,2 mm |
| d | 76,2 mm |
| A0 | 82 mm |
| d3 | 96 mm |
| A | 70 mm |
| A1 | 24 mm |
| B1 | 82 mm |
| J | 171 mm |
| L | 214 mm |
| N | 23 mm |
| Thread (G) | M20 |
| A2 | 40 mm |
| Weight | 10,4 Kg |
| Basic dynamic load rating (C) | 96,1 kN |
| Basic static load rating (C0) | 71,5 kN |