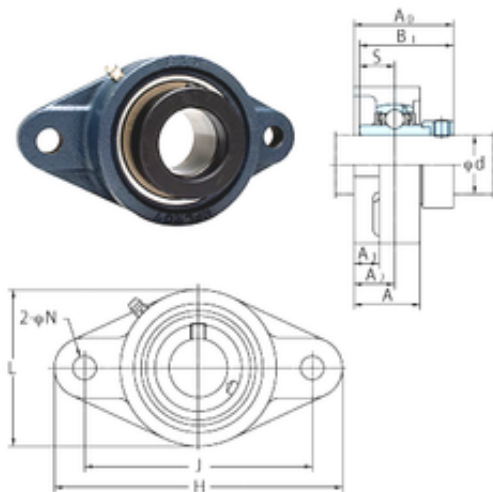




New energy Bearing Manufacturing Co.,...

FYH NANFL209-26 bearing units

Bearing No. NANFL209-26



NANFL209-26 Bearing 2D drawings and 3D CAD models

Bore Diameter	41,275 mm
d	41,275 mm
A0	58,9 mm
A	40 mm
A1	14 mm
B1	56,3 mm
H	188 mm
J	148,4 mm
L	108 mm
N	15 mm
S	21,4 mm
Bolt (G)	1/2
A2	24 mm
Weight	2,3 Kg
Basic dynamic load rating (C)	34,1 kN
Basic static load rating (C0)	21,3 kN