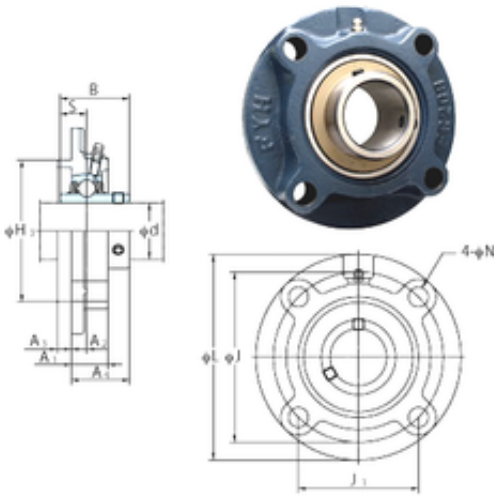




# New energy Bearing Manufacturing Co.,...

## FYH UCFCX11-36 bearing units

Bearing No. UCFCX11-36



UCFCX11-36 Bearing 2D drawings and 3D CAD models

Bore Diameter	57,15 mm
d	57,15 mm
H3	127 mm
A4	43,7 mm
A1	26 mm
B	65,1 mm
J	152 mm
L	180 mm
N	16 mm
S	25,4 mm
Bolt (G)	M14
A2	4 mm
A3	22 mm
J1	107,5 mm
Weight	4,3 Kg
Basic dynamic load rating (C)	52,4 kN
Basic static load rating (C0)	36,2 kN