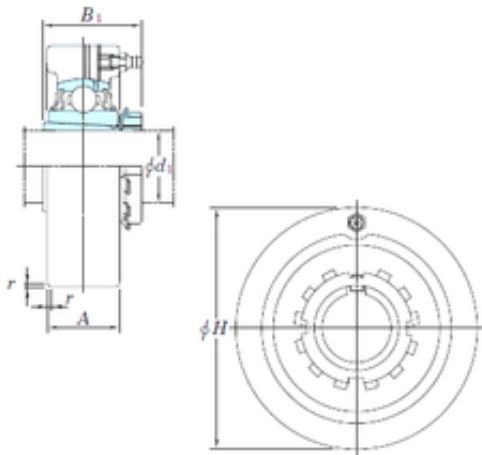




New energy Bearing Manufacturing Co.,...



KOYO UKCX08 bearing units

Bearing No. UKCX08

Bore Diameter	35 mm
d	35 mm
r	2 mm
A	38 mm
B1	46 mm
H	120 mm
Weight	2,3 Kg
Basic dynamic load rating (C)	34,1 kN
Basic static load rating (C0)	21,3 kN

UKCX08 Bearing 2D drawings and 3D CAD models