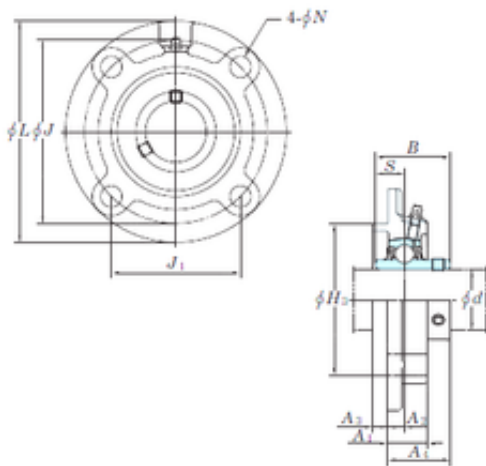




New energy Bearing Manufacturing Co.,...



KOYO UCFC207-23 bearing units

Bearing No. UCFC207-23

| | |
|-------------------------------|------------|
| Bore Diameter | 36,5125 mm |
| d | 36,5125 mm |
| H3 | 90 mm |
| A4 | 36,4 mm |
| A1 | 26 mm |
| B | 42,9 mm |
| J | 110 mm |
| L | 135 mm |
| N | 14 mm |
| S | 17,5 mm |
| Bolt (G) | M12 |
| A2 | 11 mm |
| A3 | 8 mm |
| J1 | 77,8 mm |
| Weight | 1,7 Kg |
| Basic dynamic load rating (C) | 25,7 kN |
| Basic static load rating (C0) | 15,4 kN |

UCFC207-23 Bearing 2D drawings and 3D CAD models