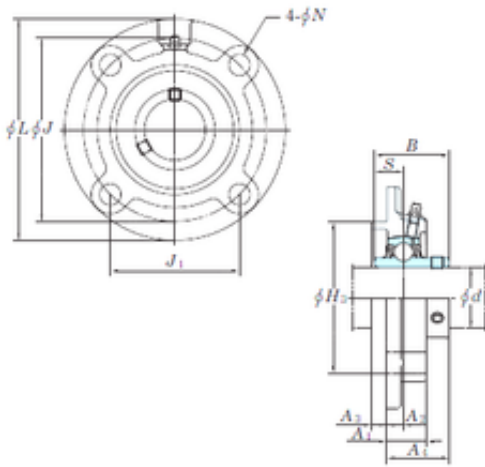




# New energy Bearing Manufacturing Co.,...



## KOYO UCFC206-20 bearing units

Bearing No. UCFC206-20

|                               |          |
|-------------------------------|----------|
| Bore Diameter                 | 31.75 mm |
| d                             | 31.75 mm |
| H3                            | 80 mm    |
| A4                            | 32,2 mm  |
| A1                            | 23 mm    |
| B                             | 38,1 mm  |
| J                             | 100 mm   |
| L                             | 125 mm   |
| N                             | 12 mm    |
| S                             | 15,9 mm  |
| Bolt (G)                      | M10      |
| A2                            | 10 mm    |
| A3                            | 8 mm     |
| J1                            | 70,7 mm  |
| Weight                        | 1,3 Kg   |
| Basic dynamic load rating (C) | 19,5 kN  |
| Basic static load rating (C0) | 11,3 kN  |

UCFC206-20 Bearing 2D drawings and 3D CAD models