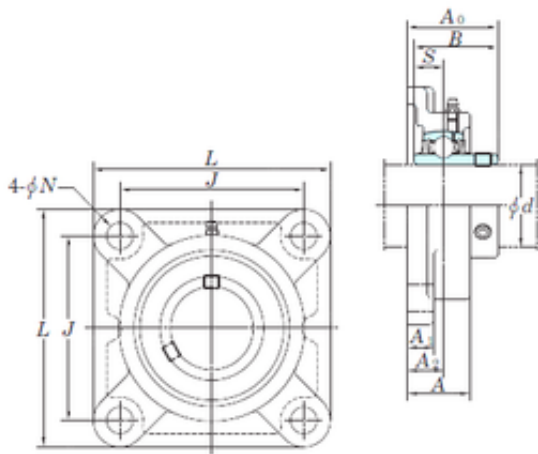




New energy Bearing Manufacturing Co.,...

KOYO UCFX20 bearing units

Bearing No. UCFX20



UCFX20 Bearing 2D drawings and 3D CAD models

Bore Diameter	100 mm
d	100 mm
A0	127,3 mm
A	97 mm
A1	28 mm
B	117,5 mm
J	211 mm
L	268 mm
N	31 mm
S	49,2 mm
Bolt (G)	M27
A2	59 mm
Weight	19,4 Kg
Basic dynamic load rating (C)	133 kN
Basic static load rating (C0)	105 kN
Bearing No.	UCFX20
Bolt size	M27
Cr	133
C0r	105
f0	14.4
(Refer.)Unit mass(kg)	19.4
Nipple size	R1/8