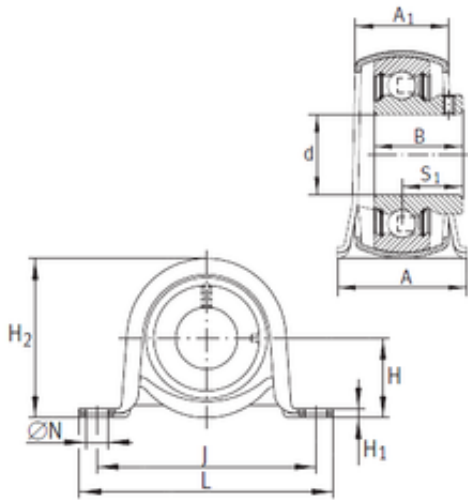




New energy Bearing Manufacturing Co.,...



PB25 Bearing 2D drawings and 3D CAD models

INA PB25 bearing units

Bearing No. PB25

Bore Diameter	25 mm
d	25 mm
S1	19,5 mm
A	31,8 mm
A1	23,5 mm
B	27 mm
H	28,6 mm
H1	4 mm
H2	56,5 mm
J	86 mm
L	108 mm
N	11,5 mm
Category	Bearings
Inventory	0.0
Manufacturer Name	SCHAEFFLER GROUP
Minimum Buy Quantity	N/A
Weight / Kilogram	0.22
Product Group	M06110