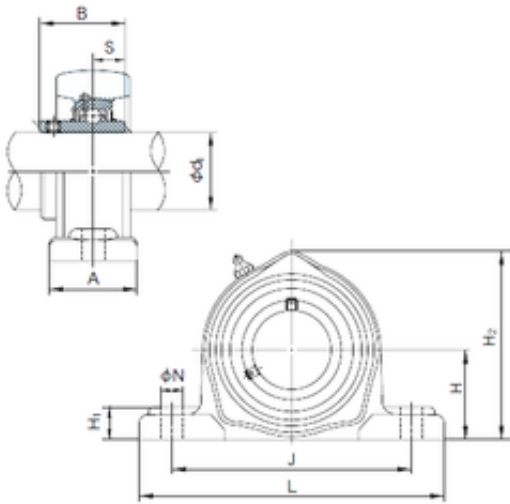




New energy Bearing Manufacturing Co.,...

NACHI UCPK211 bearing units

Bearing No. UCPK211



UCPK211 Bearing 2D drawings and 3D CAD models

Bore Diameter	55 mm
Width	55.6 mm
d	55 mm
A	55 mm
B	55.6 mm
H	63.5 mm
H1	22 mm
H2	133 mm
J	171 mm
L	216 mm
N	19 mm
S	22.2 mm
Bolt (G)	M16