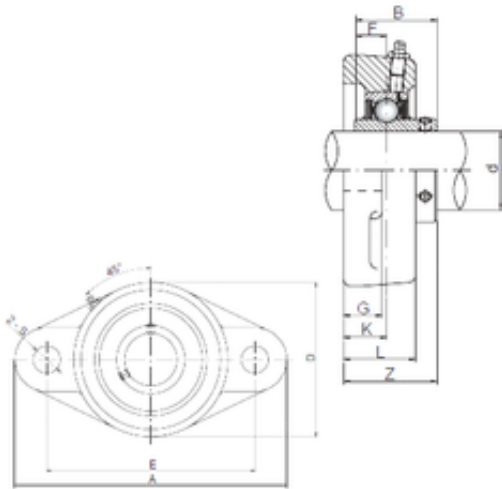




# New energy Bearing Manufacturing Co.,...



80 mm x 180 mm x 82,6 mm ISO UCFL216 bearing units

Bearing No. UCFL216

Bore Diameter	80 mm
d	80 mm
B	82,6 mm
Z	83,3 mm
A	290 mm
D	180 mm
E	233 mm
F	33,3 mm
G	22 mm
K	34 mm
L	58 mm
S	25 mm
Bolt (G)	M22

UCFL216 Bearing 2D drawings and 3D CAD models