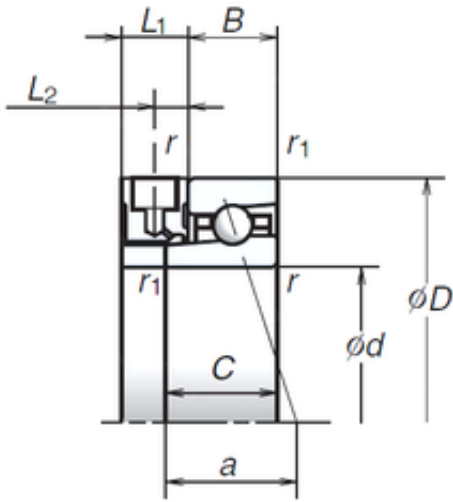




New energy Bearing Manufacturing Co.,...



75 mm x 115 mm x 22 mm NSK 75BER10XE
angular contact ball bearings

Bearing No. 75BER10XE

Size	75x115x22 mm
Bore Diameter	75 mm
Outer Diameter	115 mm
Width	22 mm
d	75 mm
D	115 mm
B	22 mm
C	27 mm
L2	7,5 mm
Angle ()	25 °
a	36,9 mm
r min.	1,1 mm
r1 min.	0,6 mm
L1	15 mm
Weight	0,697 Kg
Basic dynamic load rating (C)	21,6 kN
Basic static load rating (C0)	19,8 kN
(Grease) Lubrication Speed	31 600 r/min

75BER10XE Bearing 2D drawings and 3D CAD models