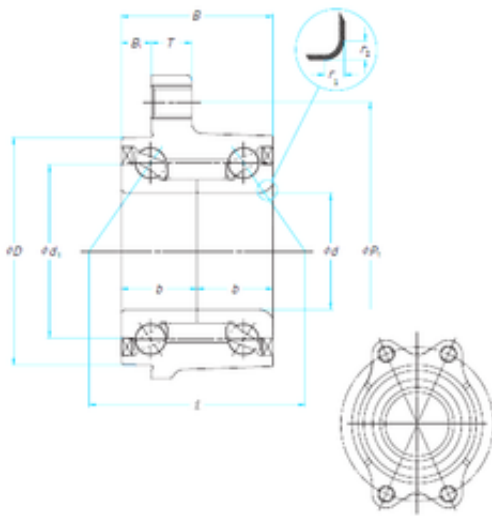




New energy Bearing Manufacturing Co.,...



38 mm x 87,4 mm x 54,8 mm NSK 38BWK01J
angular contact ball bearings

Bearing No. 38BWK01J

Size	38x87.4x54.8 mm
Bore Diameter	38 mm
Outer Diameter	87,4 mm
Width	54,8 mm
d	38 mm
D	87,4 mm
B	54,8 mm
Pt	106 mm
Bi	3,2 mm
b	18 mm
d1	55,2 mm
r1 min.	3,5 mm
r2 min.	3,5 mm
T	10 mm
	57,3 Tolerance h14
Weight	1,25 Kg
Basic dynamic load rating (C)	59 kN
Basic static load rating (C0)	49,5 kN

38BWK01J Bearing 2D drawings and 3D CAD models