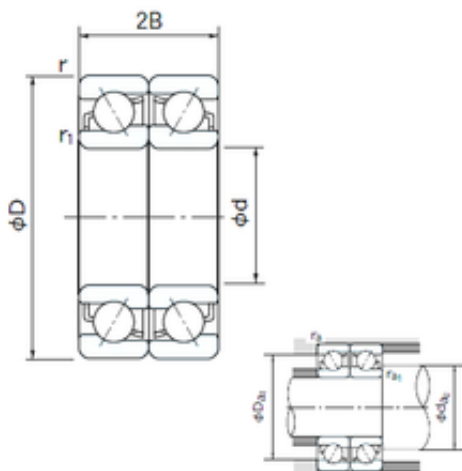




New energy Bearing Manufacturing Co.,...



7320CDF Bearing 2D drawings and 3D CAD models

100 mm x 215 mm x 47 mm NACHI 7320CDF
angular contact ball bearings

Bearing No. 7320CDF

Size	100x215x47 mm
Bore Diameter	100 mm
Outer Diameter	215 mm
Width	47 mm
d	100 mm
D	215 mm
B	47 mm
C	47 mm
Angle (°)	15 °
a -	5.3 mm
r min.	3 mm
r1 min.	1.1 mm
2B	94 mm
da min.	114 mm
Da max.	208 mm
ra max.	1 mm
Weight	8.18 Kg
Basic dynamic load rating (C)	340 kN
Basic static load rating (C0)	385 kN
(Grease) Lubrication Speed	4100 r/min
Bore Type	Cylindrical Bore
Enclosure	Open
Configuration	Duplex
Bore Size	100 mm
Outside Diameter	215 mm



New energy Bearing Manufacturing Co.,...

Width	47 mm
Fillet Radius/Chamfer	3 mm
r1	1.1 mm
Dynamic Load Rating	340,000 N
Static Load Rating	385,000 N
Limiting Speed - Grease	4,100 rpm
Limiting Speed - Oil	5,600 rpm
da1 (min)	114 mm
da2 (min)	114 mm
Da1 (max)	201 mm
Da2 (max)	208 mm
ra (max)	2.5 mm
ra1 (max)	1 mm